



CityEagle

**Truck Mounted
Mechanical Sweeper**



CityEagle is designed for heavy works and is capable of sweeping every kind of debris such as sands, waste generated as a result of heavy winter conditions, mass of household garbages, stones.

It loads coarse waste material quickly and directly from the road into its hopper and operates on a mechanical basis without suction.

It's ideal for use both in the city centers, and also in long distances.



Cost of Ownership: CityEagle offers the optimum balance among high performance, quality, low cost, and environmental impact.

Components: Çeksan, making no occasions on quality, cooperate with suppliers that became marks in their sector. We select the machine parts from suppliers who have proven themselves in their sector with their quality, price and widespread agent network.

Short Term Leadtime: Çeksan has flexible production plans in order to provide delivery terms shorter than average of the sector.

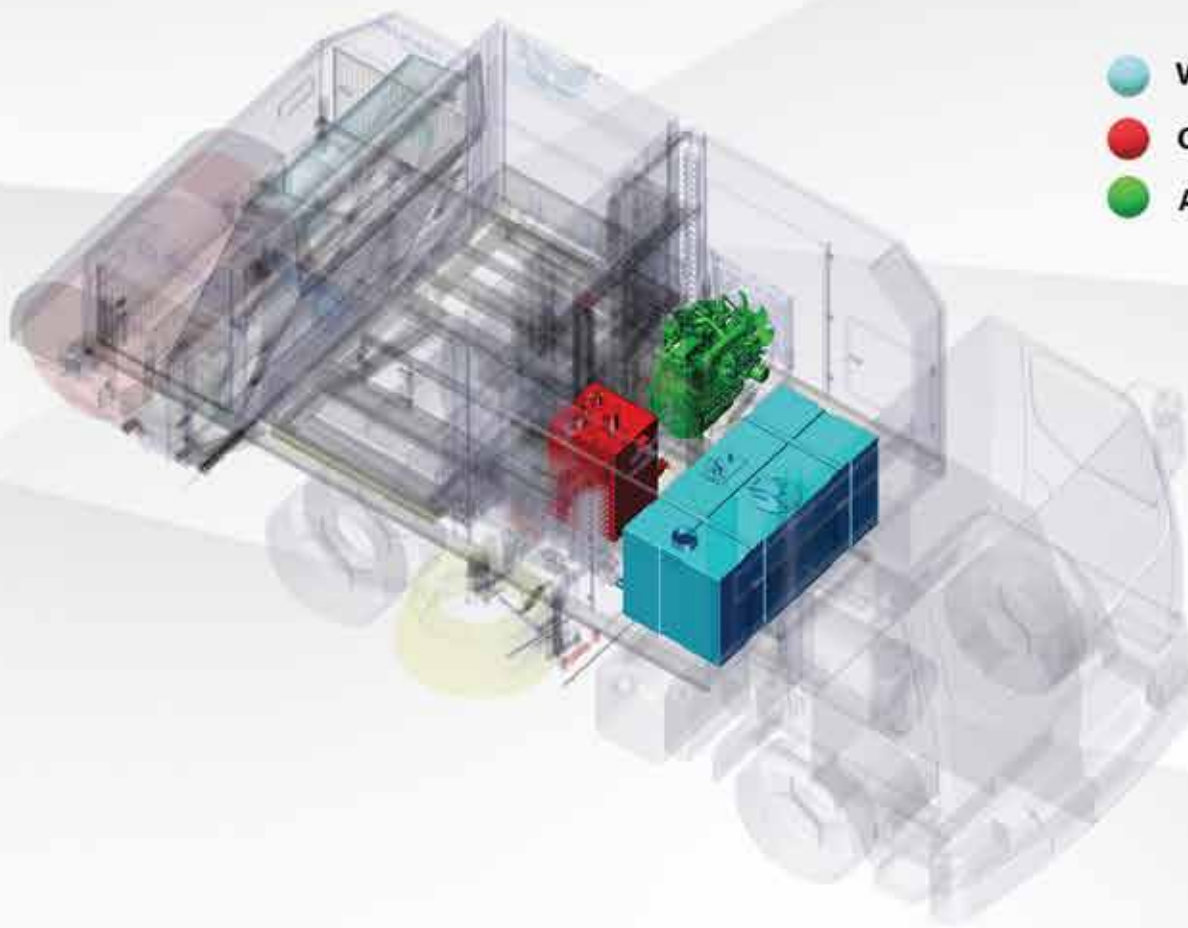


Body & Design: CityEagle is robustly constructed from quality materials to provide years of continuous performance and reliable service.

Blasting and painting operations are implemented carefully, and special covering solutions are provided for the materials.

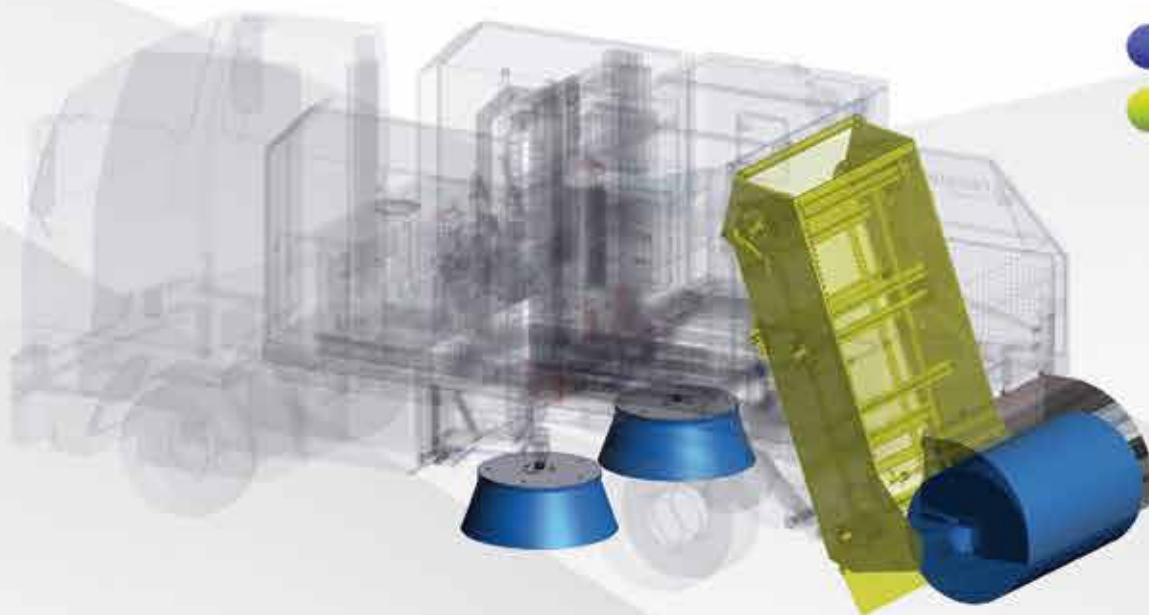
All the materials are 100% recyclable.

The machine is easily operated and cleaned due to its aesthetic design.



- Water Tank
- Oil Tank
- Auxiliary Engine

Engine: CityEagle has 44 KW (59 hp) @ 2700 rpm diesel auxiliary engine which is infinitely variable ensuring optimum operational and fuel efficiency without compromising high performance. It is easy to adjust rpm of the engine. *Kubota®* brand motors which meet the highest expectancies for emissions and environmental impact are used in order to provide maximum power and reduced fuel consumption.



- Brushes
- Elevator

Conveyor: It's made of abrasion-resistant steel and capable of collecting even bulky materials from the surface. Speed of conveyor can be adjustable according to the density of waste. Materials collected by conveyor is directly loaded into the hopper of the machine.



Brushes: Hydraulically actuated heavy duty brushes with ideal dimensions for each machine collect all kind of debris from the road to the conveyor.

Water Spraying System: CityEagle has stainless steel water jets to prevent dust while working. Waste is humidified at correct points. The spray system is powered by high quality water pump.



Easy to Run: Ergonomic and user friendly control panel allows the driver to run all the functions of sweeping.

Since its use and maintenance is very easy operator can learn operating the machine after a few hours of training.

Easy to Maintain: Critical controls are located in a purpose built locker on the one side of the machine. The ease of access to this equipment aids diagnostic checks and maintenance. Heavy duty, waterproof electrical connectors and color coded wires have stamped identification for quick location during troubleshooting.

Due to the compact design of the subgroup, it is quick to change the brushes, and to clean jet nozzles, and water filter.



Çeksan in more than 50 countries in 6 continents



Unloading: Forklift system with telescopic cylinder is a new technology which assures safe and right unloading system for CityEagle. 50 degree dumping angle provides excellent discharging.

Leakproof: Clamping system with proper sealing prevents leakage.

Mounting on Chassis: We are laying our products, exported more than 50 countries, at your door wherever you are in the world. All needed modifications on the chassis which are required to install the superstructure are made by our own team when requested. We also provide operator trainings while mounting.

CityEagle superstructure is compatible with all global and local truck models.



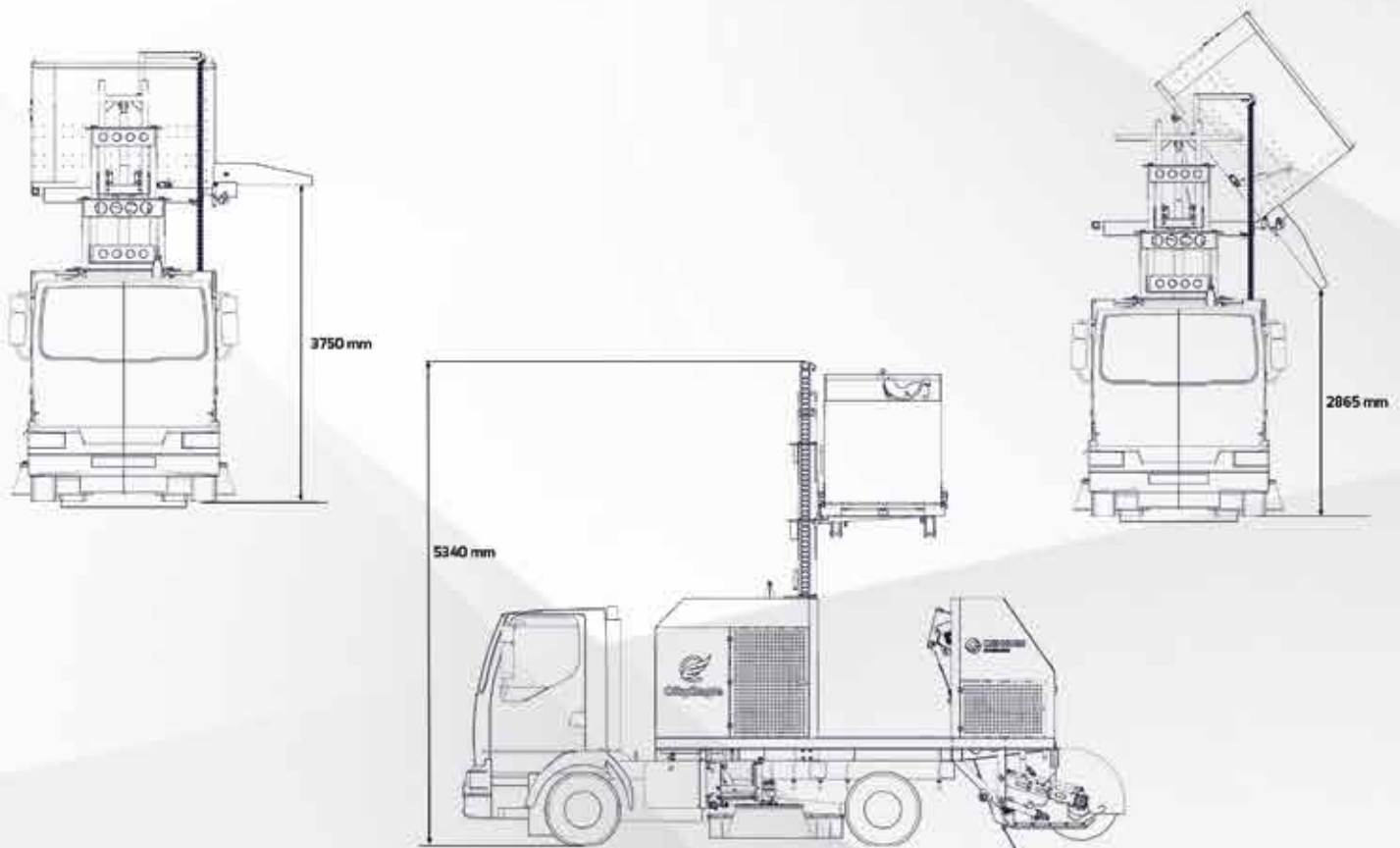
CityEagle in Almost All Sectors: It serves not only to the municipalities but also private cleaning companies, military zones, industrial areas, plants, warehouses, ports, parks, highways and any other area that you need to clean.



Service and After Sales: Çeksan organizes periodical trainings for operators, shares all maintenance schedule as earlier as sales process in order to ensure full valid warranty conditions, and establishes an easily and fast accessible network for spare parts supply.

When a technical issue rises beyond capabilities of customers to solve, our company provides in place support thanks to expert team within company organization.

Whole product range is assured under Çeksan warranty conditions. We supply spare parts along 10 years.



Dimensions may vary according to chassis choice

Technical Specification

1. Main Broom:

- Material : Polypropylene
- Diameter : 850 mm (33,5")
- Length : 1470 mm (57,8")
- Core : Plastic Tube
- Mounting : Full Floating Arm
- Pressure Control : Adjustable Spring
- Lift Control : Hydraulic

2. Conveyor

- Material : Steel
- Drive : Hydraulic with Rubber Belt , Reversible
- Type : Squeegee with Rubber Insert
- Lift Control : Hydraulic

3. Side Broom

- Type : 1 Piece
- Diameter : 962 mm (38")
- Material : Spring Steel or Polypropylene
- Speed : Adjustable on Valve
- Digging and Pressure : Adjustable in Cab
- Lift Control : Hydraulic
- Flexibility : Full side Oscillation

4. Hydraulic System

- Pump : Load Sense Piston Pump
- Capacity : 120 lt/min (32 gal/min) & 2700 rpm
- Valves : PVG (or optional non PVG)
- Return filter : 10 microns
- Reservoir : 32 gal (120 lt)
- Cooler : External

5. Electric System

- Voltage : 12V
- Battery : 135A, 1 Piece
- Protection : Automotive Breakers

6. Hopper

- Capacity : 4 m³ (5,2 yd³)
- Dumping Side : Left (Right optional)
- Hopper Lift : Forklift System with Telescopic Cylinder
- Lift Capacity : 5500 kg (12 000 lb)
- Dumping Angle : 50 deg.
- Climbing Height : 3500 mm (138") / depends on chassis
- Dumping Height : 3000 mm (118") / depends on chassis

7. Water System

- Tank Capacity : 1000 lt (265 gl)
- Water Pump : Electric 12V
- Max. Pressure : 3,8 bar (55 psi)
- Control : In Cab
- Spray Nozzles : 4 Main Broom; 3 Side Broom
5 Front Spray Bar (Optional)

8. Chassis

- GVW : Min 10 ton (4 oz)
- Wheelbase : 3300 mm (130")

9. Controls

- Engine Oil Pressure
- Engine Coolant Temperature
- Hydraulic Oil Temperature
- Hopper Position
- Low Water Level in Water Tank
- Side Brooms Position
- Side Broom Angle

Çeksan has been producing sweepers since 1989. We are the member of European Association of Municipal Equipment Manufacturers (EUnited) and our plant is accredited to ISO 9001 Quality Management, ISO 14001 Environmental Management, OHSAS 18001 Occupational Health & Safety Management Systems, and TSE Service Qualification System. Whole CityEagle product range has CE marking and PM10 label.

Çeksan Research & Development Center officially certified by Ministry of Industry designs and simulates the sweepers with innovative technical tools and software before production. All customized products are manufactured in our factory without outsourcing in order to satisfy customer quality expectations and standards.



ISO 9001



ISO 14001



OHSAS 18001



CE CityRay



CityMouse



CE Cammello



CE Hamarat



CE BatteryFly



CE SmartBee



TSE



PM 10



Arge Merkezi