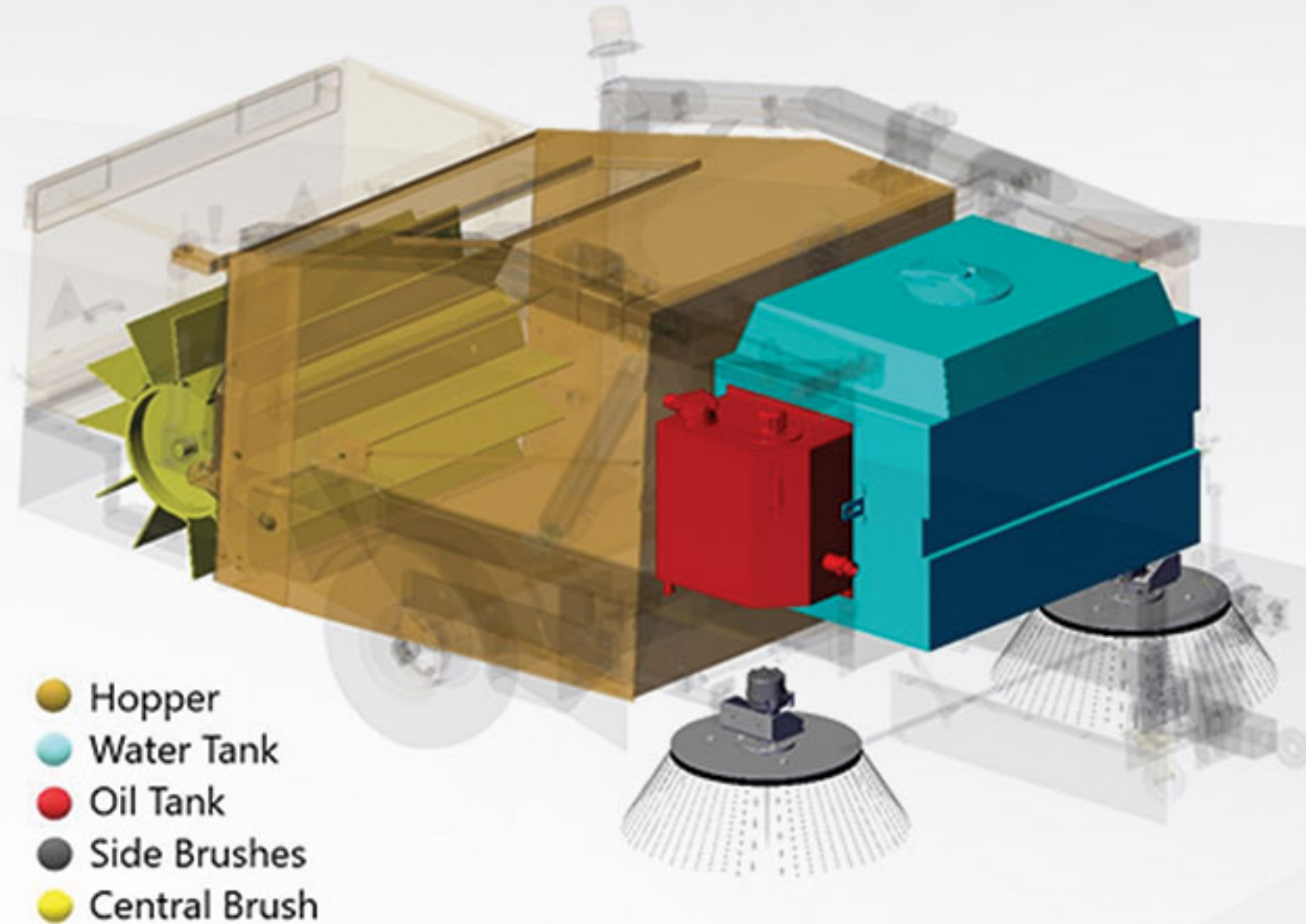




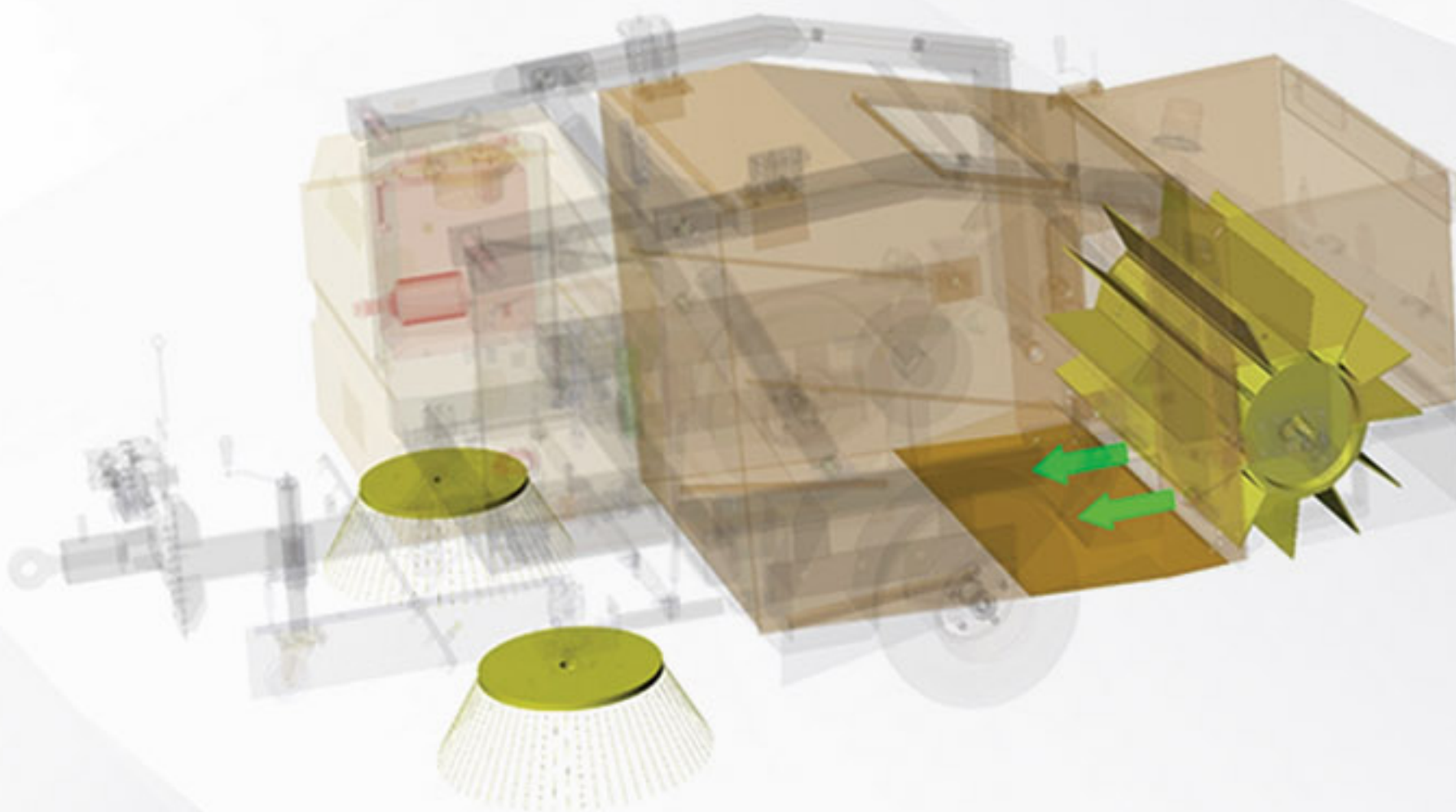
2 m³ Trailed Mechanical Sweeper





It is designed for heavy works and operates on a mechanical basis without suction. It is ideal for use in small areas and narrow passages.

Low Cost of Ownership for Limited Budgets: Hamarat offers the optimum balance among high performance, quality, low cost, and environmental impact.



Machine is capable of sweeping and collecting sand, stones or other debris with 2 m³ ideal capacity.

It loads waste material quickly and directly from the road into its own hopper.

Body & Design: Structure is robustly constructed from quality materials to provide years of continuous performance and reliable service.

Blasting and painting operations are implemented carefully, special covering solutions are provided for the materials.

The machine can be easily handled due to its aesthetic design.

All the materials are 100% recyclable.



PTO: Standard model of Hamarat without engine uses the PTO of the tractor and there is no additional fuel consumption. Any kind of tractor with 33 KW engine is sufficient to trail the machine. The connection between machine and tractor can be done quickly.



Self-Powered Model: Optionally, self-engine model allows our partners to use forklift, pickup or other vehicles to trail the machine if tractor is not available on hand.

Additional engine room including 23,8 KW engine with 50 lt fuel tank is located on the rear of hamarat.



Easy to Control: Ergonomic and user friendly pendant control unit connected via a flexible cable allows the driver both to run all the sweeping functions inside the tractor cabin and to drive the tractor simultaneously. Hamarat is very simple to use. Operator can run the functions after one hour training.



Easy to Maintain: It needs less components comparing with other sweeper models. All critical controls are contained in one area. The ease of access to this equipment aids diagnostic checks quickly. Due to compact design of the subgroup, it is very easy to change the brushes, and to clean jet nozzles, and water filter.



High Pressure Washing Gun: Washing gun equipped on the machine can be used for cleaning the machine, irrigation of trees and plants, washing the pavements or agricultural disinfection purposes by using special chemicals.

Components: Çeksan, making no occasions on quality, cooperate with suppliers that became marks in their sector. We select the machine parts from suppliers who have proven themselves in their sector with their quality, price and widespread agent network.





Brushes & Water Spraying System : Hydraulically actuated heavy duty brushes with ideal dimensions effectively collect debris from the road to the hopper. Down pressure of the brushes can be adjustable for extending product life.

Hamarat is equipped with pulverized water spraying system in order to prevent dust. Waste is humidified at correct points. 600 lt water tank is constructed of galvanized material.



Unloading: Waste discharging is carried hydraulically by the pendant control unit. Its hopper is designed to enable discharge of debris into any waste container available on road. It doesn't need to transport wastes to waste disposal areas.

Çeksan in more than 50 countries
in 6 continents



Short Term Lead Time: Çeksan has flexible production plans in order to provide delivery terms shorter than average of the sector.

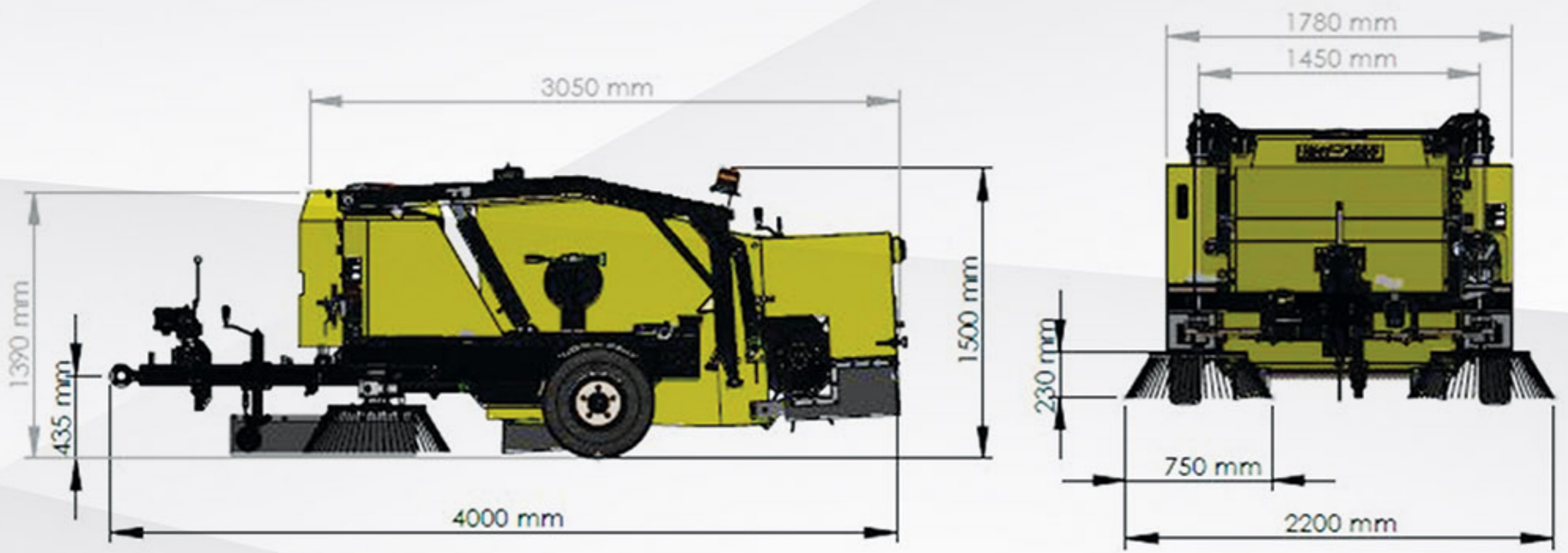


Service and After Sales: Çeksan organizes periodical trainings for operators, shares all maintenance schedule as earlier as sales process in order to ensure full valid warranty conditions, and establishes an easily and fast accessible network for spare parts supply.

When a technical issue rises beyond capabilities of customers to solve, our company provides in place support thanks to expert team within company organization.

Whole product range is assured under Çeksan warranty conditions.

We guarantee 10 year spare part supply to our partners.



1850 kg

Sweeping Speed (km/h)	0-20
Sweeping Width (mm)	2200
Sweeping Capacity (m ² /h)	44000
Hopper Capacity (m ³)	2
Water Tank Capacity (liter)	600
Hydraulic Oil Tank Capacity (liter)	50
Machine Length (mm)	4000
Machine Width (mm)	1780
Machine Height (mm)	1500
Empty Total Weight (kg)	1850
Water Pump (bar)	30
Discharge Height (mm)	1250
Side Brush Diameter (mm)	500
Central Brush Diameter (mm)	780
Central Brush Length (mm)	1140
Number of Water Nozzle (pc)	8
Tire Size	6,5-10 12 PR

Çeksan has been producing sweepers since 1989. We are the member of European Association of Municipal Equipment Manufacturers (EUnited) and our plant is accredited to ISO 9001 Quality Management, ISO 14001 Environmental Management, OHSAS 18001 Occupational Health & Safety Management Systems, and TSE Service Qualification System. Whole Hamarat product range has CE marking.

Çeksan Research & Development Center officially certified by Ministry of Industry designs and simulates the sweepers with innovative technical tools and software before production. All customized products are manufactured in our factory without outsourcing in order to satisfy customer quality expectations and standards.



ISO 9001



ISO 14001



OHSAS 18001



CE CityRay



CityMouse



CE Cammello



CE Hamarat



CE BatteryFly



CE SmartBee



TSE



PM 10



R&D Center